



# ACCUBOX 120s

PORTABLE POWER SUPPLY  
LiFePO<sub>4</sub> | 2500W | 1536Wh | 120Ah

## Electrical Specifications

The ECTIVE AccuBox 120s contains an integrated Lithium battery, inverter and MPPT solar charge controller.

Nominal Voltage (Battery)	12.8V
Nominal Capacity (Battery)	120Ah
Battery Capacity	1536Wh
Output Voltage Inverter	230V
Nominal Power Inverter	2500W
MPPT Charging Current	30A
Cell Technology	LiFePO <sub>4</sub>

## Mechanical Specifications

Measurements (LxBxH)	420 x 250 x 330mm
Weight	25kg
Integrated Multifunction Display	✓

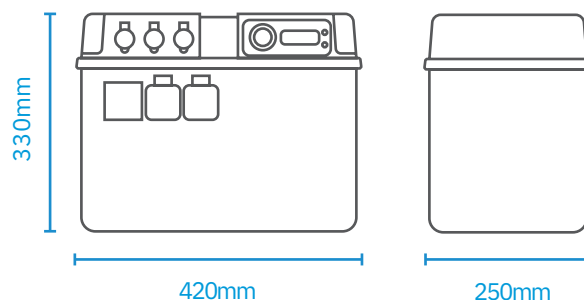
## Charging Options

AC Charger	✓
50A In-Vehicle Charger	✓
Via Solar Module	✓

## Connections

USB Port	2 x
Cigarette Lighter Socket	2 x
50A Anderson Plug	4 x
175A Anderson Plug	1 x
230V Socket	2 x

## Measurements



## Features and Accessories

The ECTIVE AccuBox 120s comes with many useful accessories and contains an integrated multi-function display.

