

DC 115s

AGM DEEP CYCLE

12V | 115Ah | 100h



Electrical Specifications

Nominal voltage	12V
Capacity (25°C)	115Ah at C ₁₀₀
Internal resistance (25°C)	4.3mΩ
Temperature effect on capacity	104% at 40°C 100% at 25°C 83% at 0°C 65% at -15°C
Residual capacity after storage (25°C)	3 months: 91% 6 months: 82% 12 months: 65%
Constant charging voltage Cycle (25°C)	14.5 to 14.9V (initial charging current < 30A)
Constant charging voltage Float (25°C)	13.6 to 13.8V

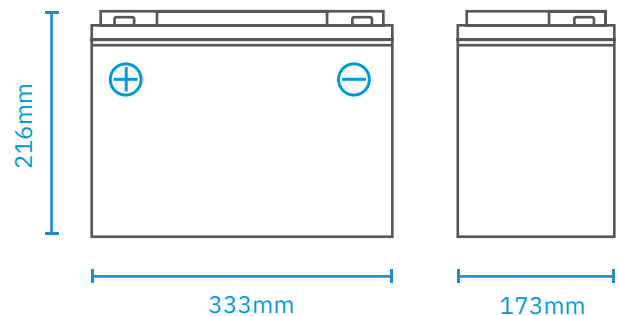
Discharge Specifications

Capacity C ₁₀₀	115Ah
Capacity C ₂₀	100Ah
Capacity C ₁₀	95Ah
Capacity C ₅	86Ah
Capacity C ₃	76Ah
Discharge current testing (25°C)	1h rate (55A) : 56Ah 3h rate (25A) : 76Ah

Mechanical Specifications

Measurements (L x W x H)	333 x 173 x 216mm
Approx. weight	32.4kg
Terminal type	T3

Measurements



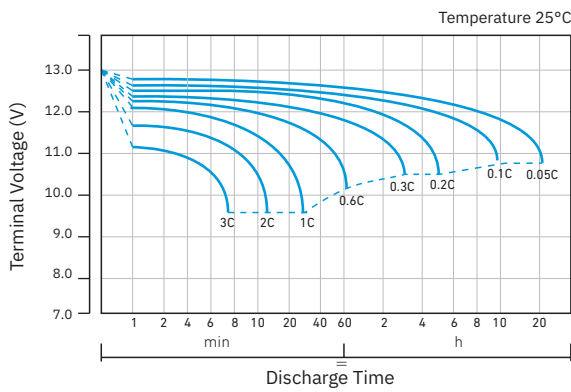
Constant Current Discharge Characteristics (A) 25°C

F.V. / Time	10 min	15 min	30 min	60 min	2 h	3 h	5 h	8 h	10 h	20 h
9.60V	220.2	157.2	108.1	65.1	36.5	26.4	18.5	12.2	10.2	5.3
10.2V	209.2	168.2	104.1	62.5	36.0	26.0	18.2	12.1	10.1	5.2
10.5V	203.2	164.2	101.1	61.2	35.7	25.8	18.0	12.1	10.0	5.2
10.8V	196.2	160.2	98.9	59.4	35.3	25.5	17.8	12.0	10.0	5.1

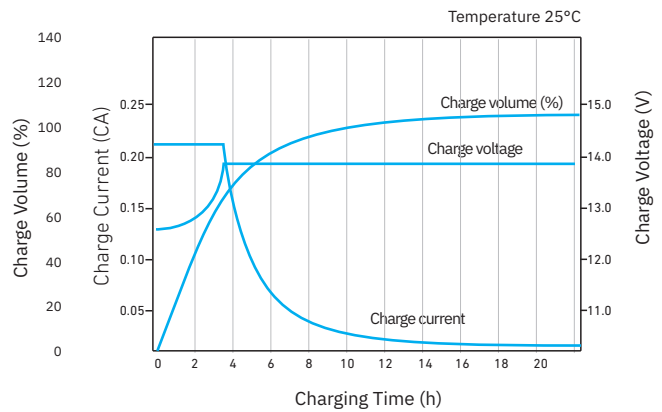
Constant Power Discharge Characteristics 25°C

F.V. / Time	10 min	15 min	30 min	60 min	2 h	3 h	5 h	8 h	10 h	20 h
9.60V	2378.4	1923.9	1213.2	741.7	423.4	310.3	219.2	146.1	123.1	64.8
10.2V	2259.3	1846.8	1168.2	711.7	417.4	306.3	215.2	145.1	122.1	64.3
10.5V	2194.2	1801.8	1158.2	707.7	413.4	303.3	212.2	145.1	121.1	64.1
10.8V	2119.1	1758.8	1110.1	676.7	409.4	300.3	210.2	144.1	119.1	63.7

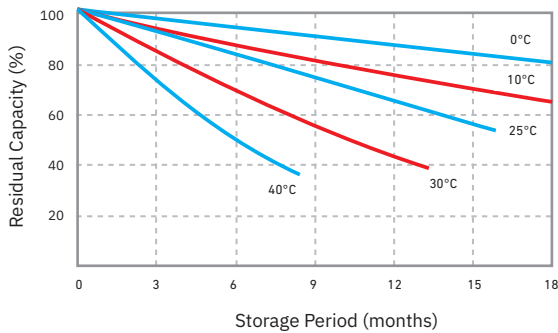
Discharge Characteristics Curve



Charge Characteristics Curve For Cycle Use (IU)



Residual Capacity



Float Life

