

DC 38s

AGM DEEP CYCLE

12V | 38Ah | 100h



Electrical Specifications

Nominal voltage	12V
Capacity (25°C)	38Ah at C ₁₀₀
Internal resistance (25°C)	6.4mΩ
Temperature effect on capacity	104% at 40°C 100% at 25°C 83% at 0°C 65% at -15°C
Residual capacity after storage (25°C)	3 months: 91% 6 months: 82% 12 months: 65%
Constant charging voltage Cycle (25°C)	14.5 to 14.9V (initial charging current < 9.9A)
Constant charging voltage Float (25°C)	13.6 to 13.8V

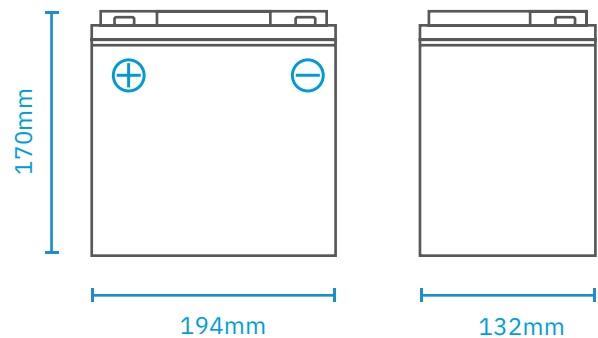
Discharge Specifications

Capacity C ₁₀₀	38Ah
Capacity C ₂₀	33Ah
Capacity C ₁₀	30Ah
Capacity C ₅	27Ah
Capacity C ₃	24Ah
Discharge current testing (25°C)	20 I ₂₀ rate (33A, 27min): 38min 60 I ₂₀ rate (99A, 7min): 10min

Mechanical Specifications

Measurements (L × W × H)	194 × 132 × 170mm
Approx. weight	10.6kg
Terminal type	T1

Measurements



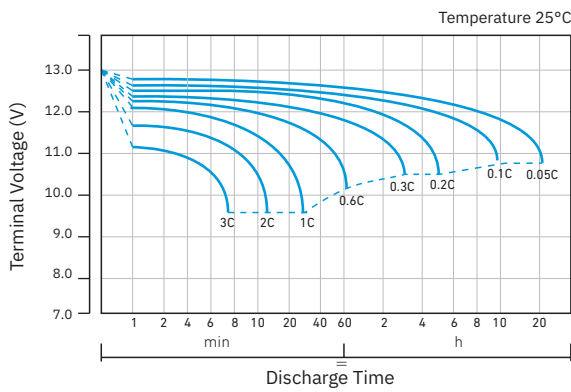
Constant Current Discharge Characteristics (A) 25°C

F.V. / Time	5 min	10 min	15 min	30 min	60 min	2 h	3 h	5 h	8 h	10 h	20 h
9.60V	107.6	68.9	56.7	33.2	20.3	11.8	8.7	5.8	3.8	3.1	1.8
10.2V	102.7	65.5	54.4	31.9	19.6	11.6	8.4	5.6	3.8	3.0	1.7
10.5V	99.5	63.6	53.0	31.1	19.1	11.5	8.2	5.5	3.8	3.0	1.7
10.8V	69.4	61.6	51.6	30.3	18.6	11.4	8.1	5.5	3.7	2.9	1.6

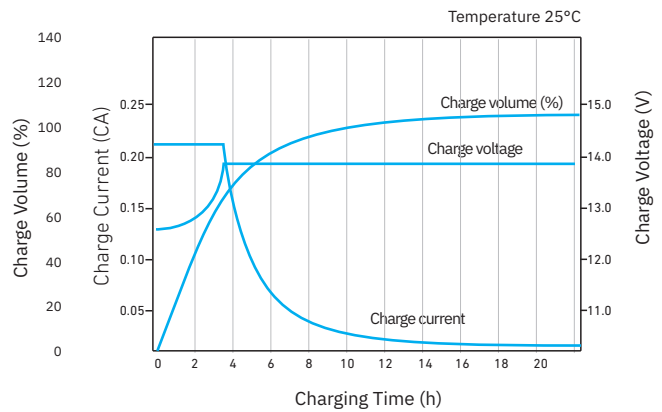
Constant Power Discharge Characteristics 25°C

F.V. / Time	5 min	10 min	15 min	30 min	60 min	2 h	3 h	5 h	8 h	10 h	20 h
9.60V	1129.5	745.1	622.9	372.6	231.8	136.0	101.7	68.1	45.3	38.0	19.8
10.2V	1076.6	708.0	597.5	356.9	223.0	134.0	98.8	66.7	44.9	37.8	19.6
10.5V	1044.4	686.5	582.3	348.6	211.7	133.1	96.8	65.7	44.6	37.6	19.4
10.8V	1012.1	665.0	567.2	340.3	200.5	131.6	94.9	64.7	44.2	37.4	19.2

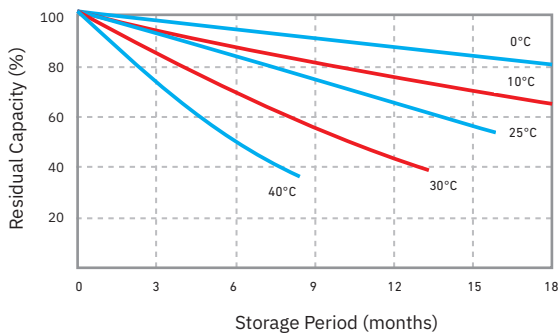
Discharge Characteristics Curve



Charge Characteristics Curve For Cycle Use (IU)



Residual Capacity



Float Life

