

DC 46s

AGM DEEP CYCLE

12V | 46Ah | 100h



Electrical Specifications

Nominal voltage	12V
Capacity (25°C)	46Ah at C ₁₀₀
Internal resistance (25°C)	7.5mΩ
Temperature effect on capacity	104% at 40°C 100% at 25°C 83% at 0°C 65% at -15°C
Residual capacity after storage (25°C)	3 months: 91% 6 months: 82% 12 months: 65%
Constant charging voltage Cycle (25°C)	14.5 to 14.9V (initial charging current < 12A)
Constant charging voltage Float (25°C)	13.6 to 13.8V

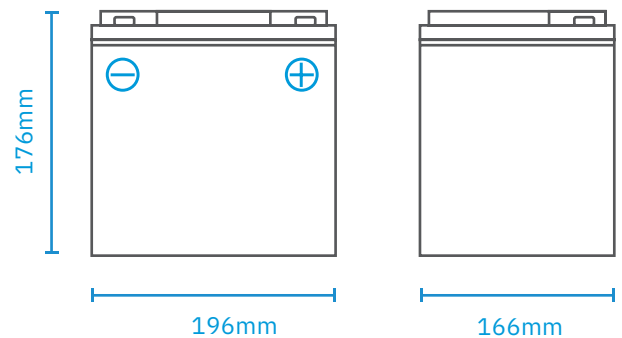
Discharge Specifications

Capacity C ₁₀₀	46Ah
Capacity C ₂₀	40Ah
Capacity C ₁₀	37Ah
Capacity C ₅	33Ah
Capacity C ₃	29Ah
Discharge current testing (25°C)	20 I ₂₀ rate (40A, 27min): 36min 60 I ₂₀ rate (120A, 7min): 8min

Mechanical Specifications

Measurements (L × W × H)	196 × 166 × 176mm
Approx. weight	13.6kg
Terminal type	T1

Measurements



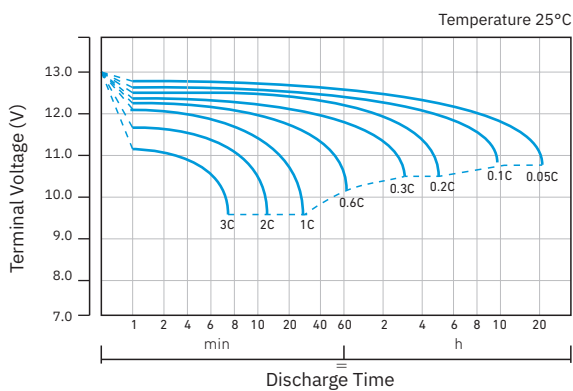
Constant Current Discharge Characteristics (A) 25°C

F.V. / Time	5 min	10 min	15 min	30 min	60 min	2 h	3 h	5 h	8 h	10 h	20 h
9.60V	123.0	81.8	64.9	40.9	24.7	14.3	10.5	7.4	4.9	4.1	2.2
10.2V	116.9	77.7	62.3	39.2	23.8	14.2	10.3	7.3	4.9	4.1	2.2
10.5V	113.3	75.3	60.8	38.2	23.2	14.0	10.2	7.2	4.9	4.0	2.1
10.8V	109.7	73.1	59.2	37.3	22.6	13.9	10.1	7.1	4.8	4.0	2.1

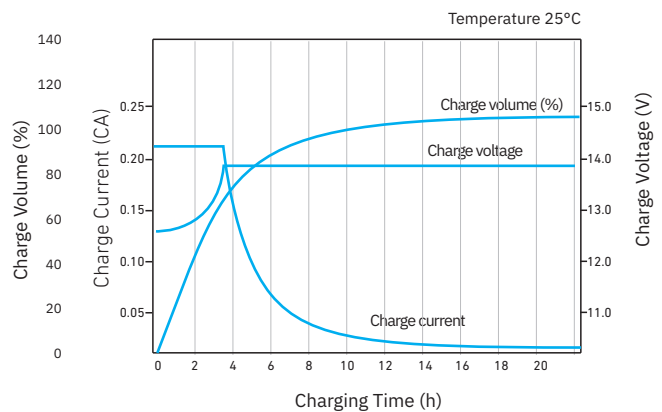
Constant Power Discharge Characteristics 25°C

F.V. / Time	5 min	10 min	15 min	30 min	60 min	2 h	3 h	5 h	8 h	10 h	20 h
9.60V	1288.6	883.6	712.2	458.6	282.6	165.8	123.6	87.5	58.5	49.1	25.9
10.2V	1224.0	839.6	684.2	441.0	271.2	163.4	121.4	86.1	58.0	48.6	25.7
10.5V	1187.1	814.4	667.2	429.6	264.5	162.2	120.4	85.2	57.7	48.2	25.6
10.8V	1150.2	789.3	650.1	418.2	257.8	160.4	119.3	84.4	57.1	47.6	25.5

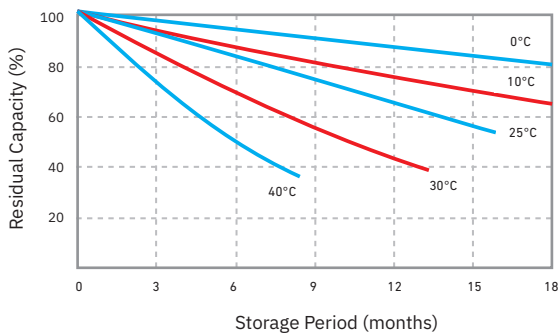
Discharge Characteristics Curve



Charge Characteristics Curve For Cycle Use (IU)



Residual Capacity



Float Life

