

# DC 75s

## AGM DEEP CYCLE

12V | 75Ah | 100h



### Electrical Specifications

Nominal voltage	12V
Capacity (25°C)	75Ah at C <sub>100</sub>
Internal resistance (25°C)	5.6mΩ
Temperature effect on capacity	104% at 40°C 100% at 25°C 83% at 0°C 65% at -15°C
Residual capacity after storage (25°C)	3 months: 91% 6 months: 82% 12 months: 65%
Constant charging voltage Cycle (25°C)	14.5 to 14.9V (initial charging current < 19.5A)
Constant charging voltage Float (25°C)	13.6 to 13.8V

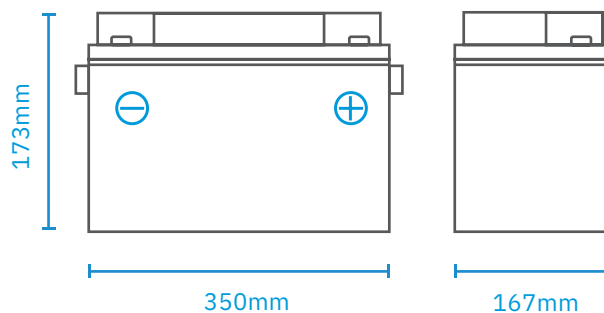
### Discharge Specifications

Capacity C <sub>100</sub>	75Ah
Capacity C <sub>20</sub>	65Ah
Capacity C <sub>10</sub>	60Ah
Capacity C <sub>5</sub>	54Ah
Capacity C <sub>3</sub>	47Ah
Discharge current testing (25°C)	1h rate (35.7A) : 38Ah 3h rate (16.2A) : 52Ah

### Mechanical Specifications

Measurements (L × W × H)	350 × 167 × 173mm
Approx. weight	23.3kg
Terminal type	T3

### Measurements



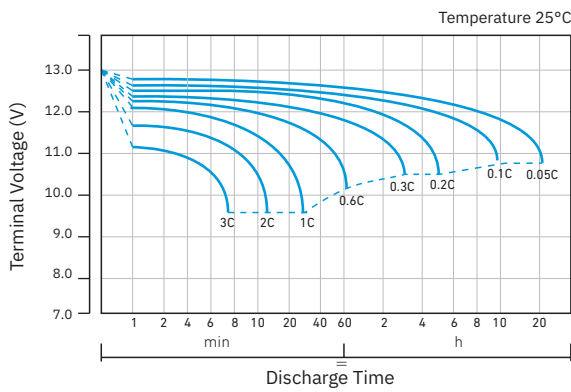
### Constant Current Discharge Characteristics (A) 25°C

F.V. / Time	5 min	10 min	15 min	30 min	60 min	2 h	3 h	5 h	8 h	10 h	20 h
<b>9.60V</b>	207.1	144.4	111.1	67.7	41.4	23.9	16.9	11.8	8.0	6.7	3.6
<b>10.2V</b>	197.0	137.4	107.1	64.9	39.8	23.6	16.7	11.6	7.9	6.7	3.5
<b>10.5V</b>	191.9	133.3	104.0	63.6	38.9	23.4	16.5	11.5	7.9	6.6	3.5
<b>10.8V</b>	184.8	129.3	101.0	61.7	37.8	23.1	16.4	11.4	7.8	6.6	3.4

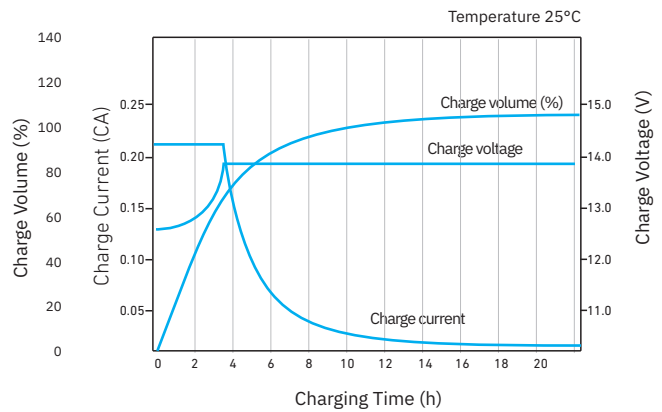
### Constant Power Discharge Characteristics 25°C

F.V. / Time	5 min	10 min	15 min	30 min	60 min	2 h	3 h	5 h	8 h	10 h	20 h
<b>9.60V</b>	2174.5	1559.4	1220.1	759.5	471.7	276.7	198.0	139.4	94.8	80.2	42.2
<b>10.2V</b>	2065.5	1481.7	1170.6	729.2	453.5	272.7	195.9	137.4	94.0	79.6	41.8
<b>10.5V</b>	2015.0	1439.3	1141.3	713.1	442.4	270.7	193.9	136.4	93.5	78.7	41.4
<b>10.8V</b>	1941.2	1392.8	1113.0	692.9	430.3	267.7	192.7	135.3	92.6	78.4	41.2

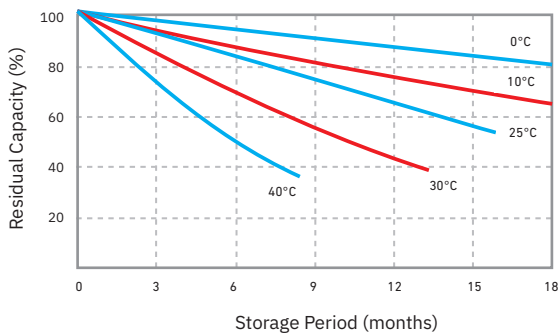
Discharge Characteristics Curve



Charge Characteristics Curve For Cycle Use (IU)



Residual Capacity



Float Life

