



DC 290s

GEL DEEP CYCLE
12V | 290Ah | 100h

Electrical Specifications

Nominal voltage	12V
Capacity (25°C)	290Ah at C ₁₀₀
Internal resistance (25°C)	2.7mΩ
Temperature effect on capacity	104% at 40°C 100% at 25°C 83% at 0°C 65% at -15°C
Residual capacity after storage (25°C)	3 months: 91% 6 months: 82% 12 months: 65%
Constant charging voltage Cycle (25°C)	14.5 to 14.9V (initial charging current < 75A)
Constant charging voltage Float (25°C)	13.6 to 13.8V

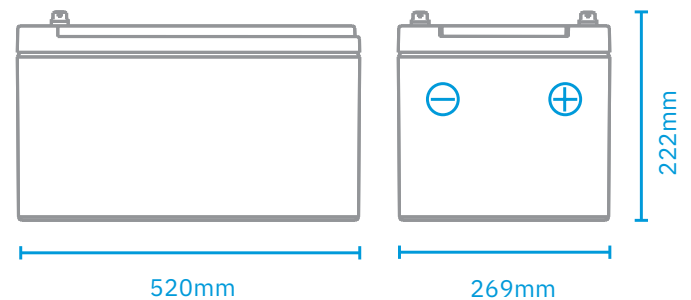
Mechanical Specifications

Measurements (L × W × H)	520 × 269 × 222mm
Approx. weight	73.1kg
Terminal type	T2

Discharge Specifications

Capacity C ₁₀₀	290Ah
Capacity C ₂₀	250Ah
Capacity C ₁₀	218Ah
Capacity C ₅	196Ah
Capacity C ₃	188Ah
Discharge current testing (25°C)	1h rate (137.5A) : 138Ah 3h rate (62.5A) : 188Ah

Measurements



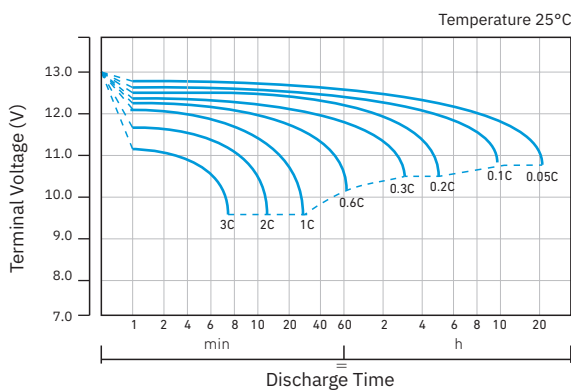
Constant Current Discharge Characteristics (A) 25°C

F.V. / Time	10 min	15 min	30 min	60 min	2 h	3 h	5 h	8 h	10 h	20 h
9.60V	402.6	257.1	158.1	88.7	62.0	50.7	44.3	29.6	25.1	13.0
10.2V	386.1	246.4	151.4	87.3	61.1	50.1	43.7	29.3	25.1	12.9
10.5V	378.4	241.6	148.4	86.5	60.6	49.8	43.3	29.1	25.0	12.8
10.8V	366.7	234.8	144.6	85.6	59.9	48.2	42.8	29.1	25.0	12.8

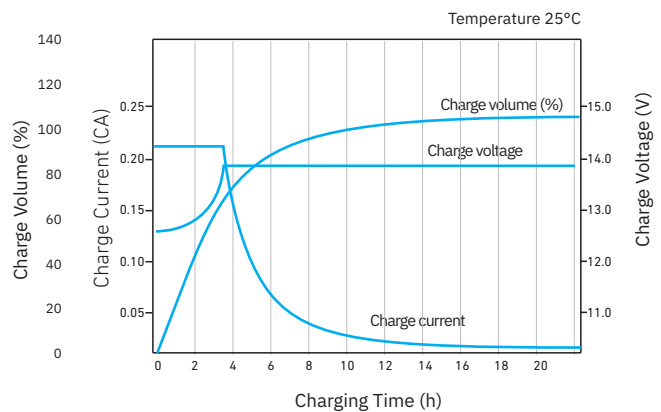
Constant Power Discharge Characteristics 25°C

F.V. / Time	10 min	15 min	30 min	60 min	2 h	3 h	5 h	8 h	10 h	20 h
9.60V	4421.2	2884.4	1802.6	1026.5	729.6	596.7	523.9	354.1	294.0	156.2
10.2V	4243.7	2769.0	1730.8	1010.9	718.9	588.9	516.1	351.2	293.2	154.3
10.5V	4154.4	2709.8	1692.0	1001.2	713.1	585.0	511.3	345.4	292.4	153.3
10.8V	4032.2	2631.2	1644.5	990.6	704.4	567.6	505.5	349.3	291.1	152.7

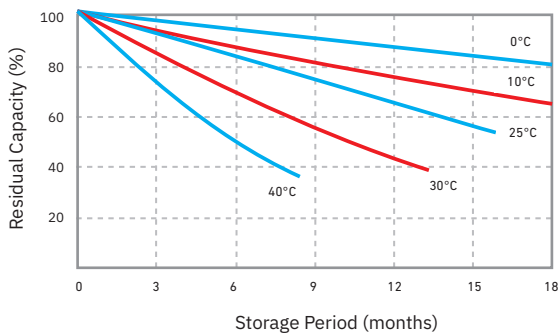
Discharge Characteristics Curve



Charge Characteristics Curve For Cycle Use (IU)



Residual Capacity



Float Life

