

# DC 115sc

**GEL DEEP CYCLE**  
12V | 115Ah | 100h



## Electrical Specifications

Nominal voltage	12V
Capacity (25°C)	115Ah at C <sub>100</sub>
Internal resistance (25°C)	4.2mΩ
Temperature effect on capacity	104% at 40°C 100% at 25°C 83% at 0°C 65% at -15°C
Residual capacity after storage (25°C)	3 months: 91% 6 months: 82% 12 months: 65%
Constant charging voltage Cycle (25°C)	14.5 to 14.9V (initial charging current < 30A)
Constant charging voltage Float (25°C)	13.6 to 13.8V

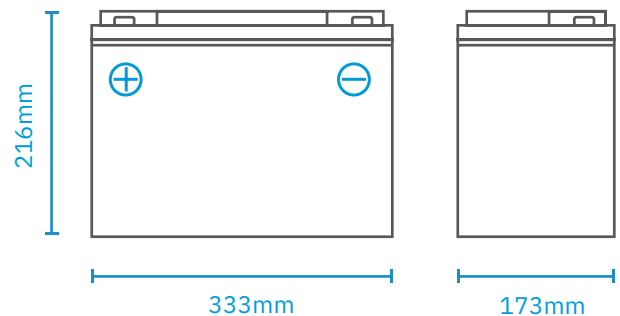
## Mechanical Specifications

Measurements (L × W × H)	333 × 173 × 216mm
Approx. weight	30.9kg
Terminal type	T3

## Discharge Specifications

Capacity C <sub>100</sub>	115Ah
Capacity C <sub>20</sub>	100Ah
Capacity C <sub>10</sub>	87Ah
Capacity C <sub>5</sub>	80Ah
Capacity C <sub>3</sub>	77Ah
Discharge current testing (25°C)	1h rate (55A) : 57Ah 3h rate (25A) : 77Ah

## Measurements



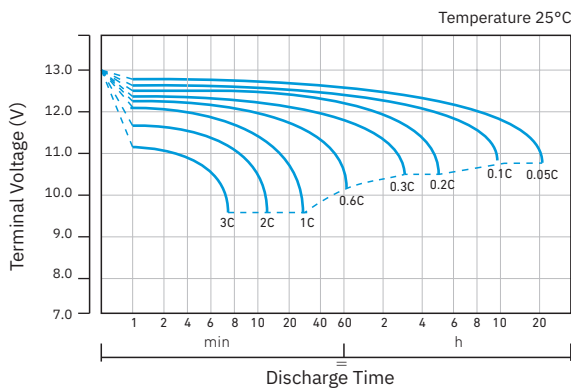
## Constant Current Discharge Characteristics (A) 25°C

F.V. / Time	10 min	15 min	30 min	60 min	2 h	3 h	5 h	8 h	10 h	20 h
<b>9.60V</b>	217.8	173.3	106.9	61.1	36.1	26.1	18.3	12.1	10.1	5.1
<b>10.2V</b>	206.9	166.3	103.0	61.8	35.6	25.7	18.0	12.0	10.0	5.3
<b>10.5V</b>	201.0	162.4	100.0	60.5	35.3	25.5	17.8	12.0	10.0	5.3
<b>10.8V</b>	194.0	158.4	97.8	58.7	34.9	25.2	17.6	11.9	10.0	5.2

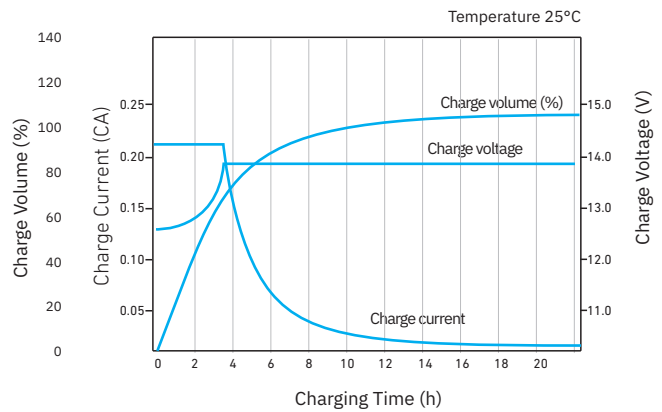
### Constant Power Discharge Characteristics 25°C

F.V. / Time	10 min	15 min	30 min	60 min	2 h	3 h	5 h	8 h	10 h	20 h
<b>9.60V</b>	2352.2	1902.8	1199.9	733.6	418.8	306.9	216.8	144.5	121.8	64.3
<b>10.2V</b>	2234.4	1826.6	1155.3	703.9	412.8	302.9	212.9	143.9	120.8	63.6
<b>10.5V</b>	2170.1	1782.0	1145.4	699.9	408.9	300.0	209.9	143.6	119.8	63.4
<b>10.8V</b>	2095.8	1739.4	1097.9	669.2	404.9	297.0	207.9	142.6	118.2	63.0

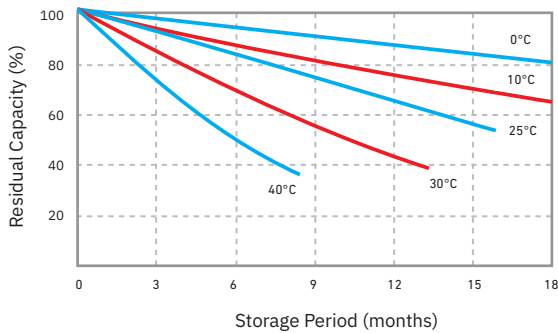
Discharge Characteristics Curve



Charge Characteristics Curve For Cycle Use (IU)



Residual Capacity



Float Life

