

# DC 38sc

**GEL DEEP CYCLE**  
12V | 38Ah | 100h



## Electrical Specifications

Nominal voltage	12V
Capacity (25°C)	38Ah at C <sub>100</sub>
Internal resistance (25°C)	6.8mΩ
Temperature effect on capacity	104% at 40°C 100% at 25°C 83% at 0°C 65% at -15°C
Residual capacity after storage (25°C)	3 months: 91% 6 months: 82% 12 months: 65%
Constant charging voltage Cycle (25°C)	14.5 to 14.9V (initial charging current < 9.9A)
Constant charging voltage Float (25°C)	13.6 to 13.8V

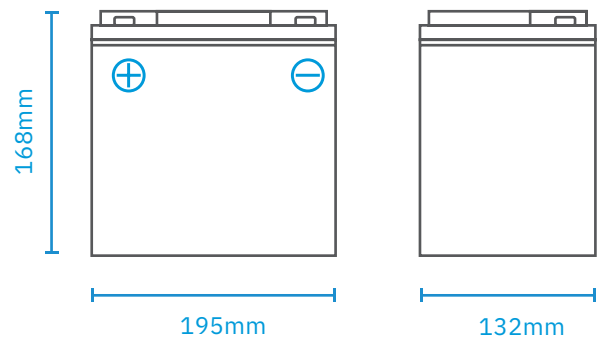
## Discharge Specifications

Capacity C <sub>100</sub>	38Ah
Capacity C <sub>20</sub>	33Ah
Capacity C <sub>10</sub>	29Ah
Capacity C <sub>5</sub>	26Ah
Capacity C <sub>3</sub>	25Ah
Discharge current testing (25°C)	1h rate (18.2A) : 18.7Ah 3h rate (8.3A) : 25.4Ah

## Mechanical Specifications

Measurements (L × W × H)	195 × 132 × 168mm
Approx. weight	9.9kg
Terminal type	T1

## Measurements



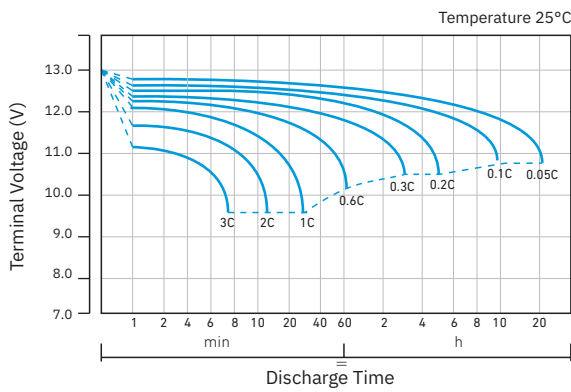
## Constant Current Discharge Characteristics (A) 25°C

F.V. / Time	5 min	10 min	15 min	30 min	60 min	2 h	3 h	5 h	8 h	10 h	20 h
<b>9.60V</b>	107.6	68.9	56.7	33.2	20.3	11.8	8.7	5.8	3.8	3.1	1.8
<b>10.2V</b>	102.7	65.5	54.4	31.9	19.6	11.6	8.4	5.6	3.8	3.0	1.7
<b>10.5V</b>	99.5	63.6	53.0	31.1	19.1	11.5	8.2	5.5	3.8	3.0	1.7
<b>10.8V</b>	69.4	61.6	51.6	30.3	18.6	11.4	8.1	5.5	3.7	2.9	1.6

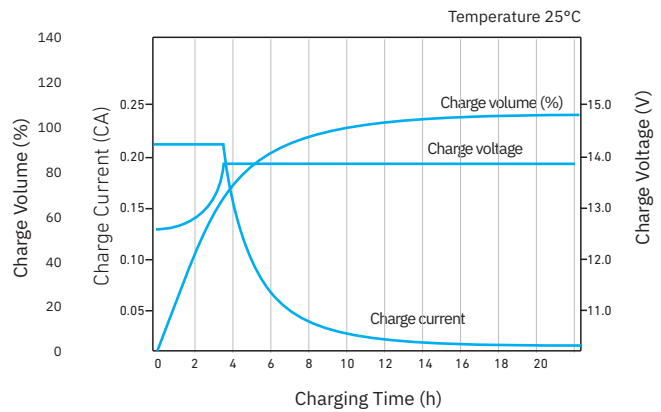
### Constant Power Discharge Characteristics 25°C

F.V. / Time	5 min	10 min	15 min	30 min	60 min	2 h	3 h	5 h	8 h	10 h	20 h
<b>9.60V</b>	1129.5	745.1	622.9	372.6	231.8	136.0	101.7	68.1	45.3	38.0	19.8
<b>10.2V</b>	1076.6	708.0	597.5	356.9	223.0	134.0	98.8	66.7	44.9	37.8	19.6
<b>10.5V</b>	1044.4	686.5	582.3	348.6	211.7	133.1	96.8	65.7	44.6	37.6	19.4
<b>10.8V</b>	1012.1	665.0	567.2	340.3	200.5	131.6	94.9	64.7	44.2	37.4	19.2

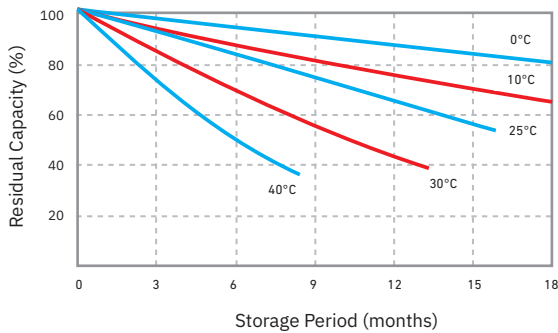
Discharge Characteristics Curve



Charge Characteristics Curve For Cycle Use (IU)



Residual Capacity



Float Life

