

# DC 65sc

## GEL DEEP CYCLE

12V | 65Ah | 100h



### Electrical Specifications

Nominal voltage	12V
Capacity (25°C)	65Ah at C <sub>100</sub>
Internal resistance (25°C)	6.5mΩ
Temperature effect on capacity	104% at 40°C 100% at 25°C 83% at 0°C 65% at -15°C
Residual capacity after storage (25°C)	3 months: 91% 6 months: 82% 12 months: 65%
Constant charging voltage Cycle (25°C)	14.5 to 14.9V (initial charging current < 16.5A)
Constant charging voltage Float (25°C)	13.6 to 13.8V

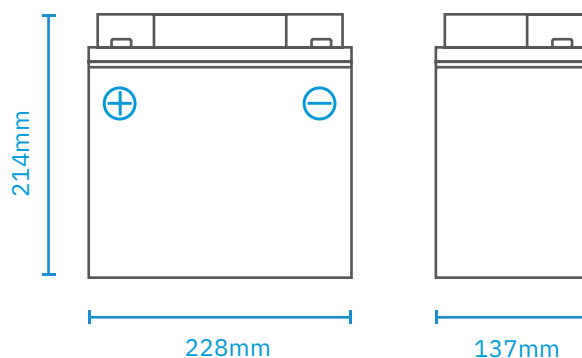
### Discharge Specifications

Capacity C <sub>100</sub>	65Ah
Capacity C <sub>20</sub>	55Ah
Capacity C <sub>10</sub>	48Ah
Capacity C <sub>5</sub>	44Ah
Capacity C <sub>3</sub>	41Ah
Discharge current testing (25°C)	1h rate (30.2A) : 30.5Ah 3h rate (13.7A) : 41Ah

### Mechanical Specifications

Measurements (L × W × H)	228 × 137 × 214mm
Approx. weight	16.7kg
Terminal type	T1

### Measurements



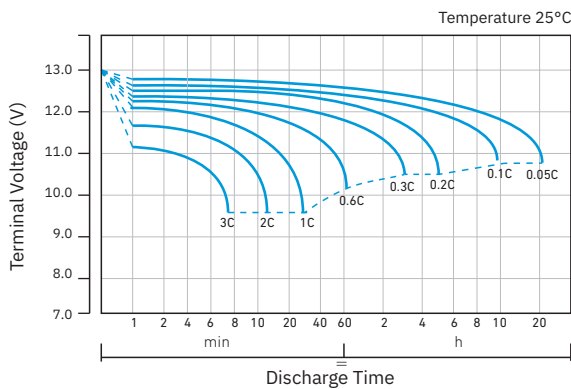
### Constant Current Discharge Characteristics (A) 25°C

F.V. / Time	5 min	10 min	15 min	30 min	60 min	2 h	3 h	5 h	8 h	10 h	20 h
<b>9.60V</b>	180.4	130.3	100.2	62.1	36.1	20.1	14.7	10.0	6.7	5.6	2.9
<b>10.2V</b>	171.3	124.2	96.2	59.6	34.7	19.8	14.5	9.9	6.7	5.5	2.9
<b>10.5V</b>	169.3	122.2	94.3	58.4	33.9	19.6	14.4	9.8	6.6	5.5	2.8
<b>10.8V</b>	161.3	116.2	91.3	56.6	32.9	19.4	14.2	9.7	6.5	5.5	2.8

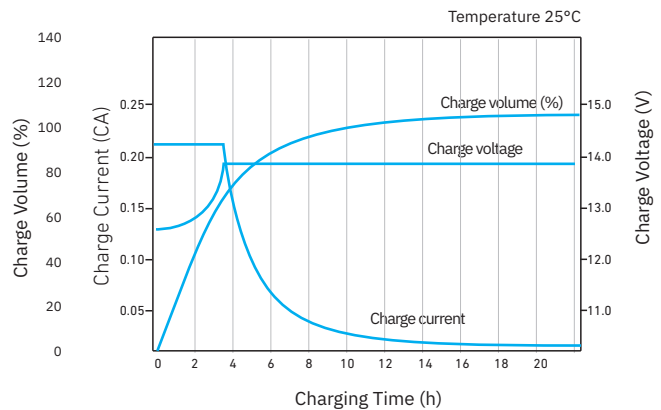
### Constant Power Discharge Characteristics 25°C

F.V. / Time	5 min	10 min	15 min	30 min	60 min	2 h	3 h	5 h	8 h	10 h	20 h
<b>9.60V</b>	1893.8	1406.8	1100.2	697.4	410.8	232.5	173.3	118.2	79.8	66.7	34.8
<b>10.2V</b>	1799.6	1336.7	1056.1	669.3	394.8	229.5	171.3	117.2	79.1	66.1	34.7
<b>10.5V</b>	1777.5	1319.6	1035.1	655.3	703.4	226.5	169.3	116.2	78.6	66.0	34.4
<b>10.8V</b>	1691.4	1256.5	1003.0	635.3	374.7	224.4	167.3	115.2	77.7	65.8	34.3

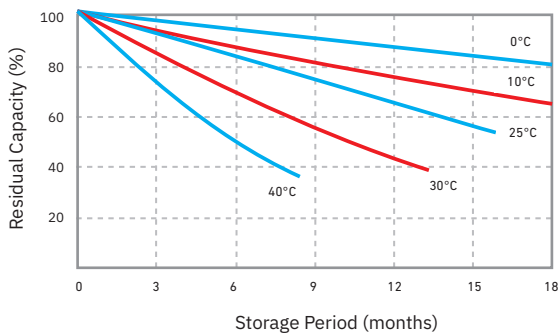
Discharge Characteristics Curve



Charge Characteristics Curve For Cycle Use (IU)



Residual Capacity



Float Life

