

DC 75sc

GEL DEEP CYCLE
12V | 75Ah | 100h



Electrical Specifications

Nominal voltage	12V
Capacity (25°C)	75Ah at C ₁₀₀
Internal resistance (25°C)	5.6mΩ
Temperature effect on capacity	104% at 40°C 100% at 25°C 83% at 0°C 65% at -15°C
Residual capacity after storage (25°C)	3 months: 91% 6 months: 82% 12 months: 65%
Constant charging voltage Cycle (25°C)	14.5 to 14.9V (initial charging current < 19.5A)
Constant charging voltage Float (25°C)	13.6 to 13.8V

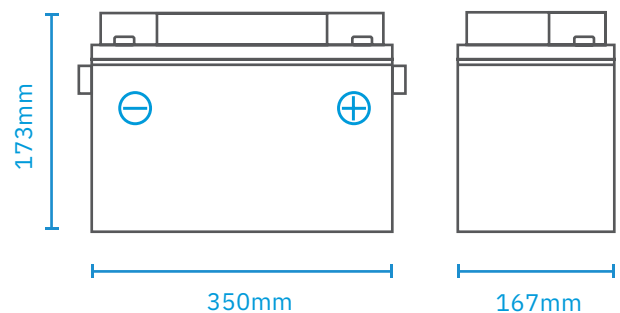
Mechanical Specifications

Measurements (L × W × H)	350 × 167 × 173mm
Approx. weight	20.9kg
Terminal type	T3

Discharge Specifications

Capacity C ₁₀₀	75Ah
Capacity C ₂₀	65Ah
Capacity C ₁₀	57Ah
Capacity C ₅	52Ah
Capacity C ₃	49Ah
Discharge current testing (25°C)	1h rate (35.7A) : 36Ah 3h rate (16.2A) : 49Ah

Measurements



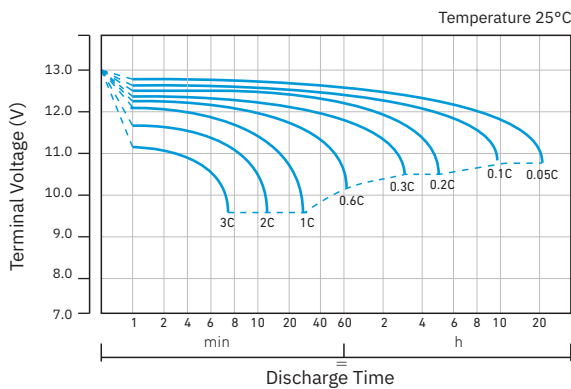
Constant Current Discharge Characteristics (A) 25°C

F.V. / Time	5 min	10 min	15 min	30 min	60 min	2 h	3 h	5 h	8 h	10 h	20 h
9.60V	205.4	143.3	110.2	67.1	41.1	23.7	16.7	11.7	7.9	6.7	3.5
10.2V	195.4	136.3	106.2	64.4	39.5	23.4	16.5	11.5	7.9	6.6	3.5
10.5V	190.4	132.3	103.2	63.1	38.6	23.2	16.3	11.4	7.8	6.5	3.4
10.8V	183.4	128.3	100.2	61.2	37.5	22.9	16.2	11.3	7.7	6.5	3.4

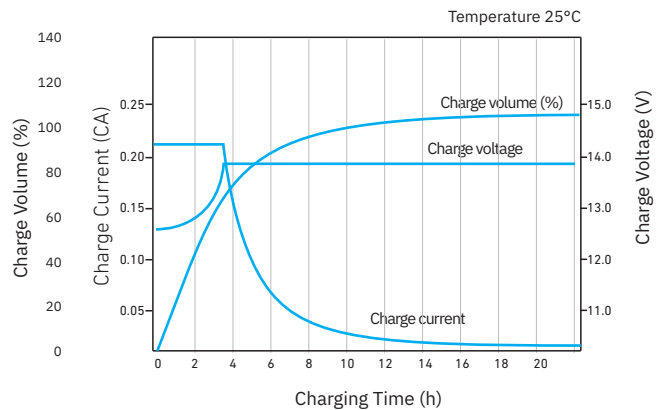
Constant Power Discharge Characteristics 25°C

F.V. / Time	5 min	10 min	15 min	30 min	60 min	2 h	3 h	5 h	8 h	10 h	20 h
9.60V	2157.3	1547.1	1210.4	753.5	467.9	274.5	196.4	138.3	94.1	79.6	41.9
10.2V	2049.1	1469.9	1161.3	723.4	449.9	270.5	194.4	136.3	93.3	79.0	41.5
10.5V	1999.0	1427.9	1132.3	707.4	438.9	268.5	192.4	135.3	92.8	78.1	41.1
10.8V	1925.8	1381.8	1104.2	687.4	426.9	265.5	191.4	134.3	91.9	77.8	40.9

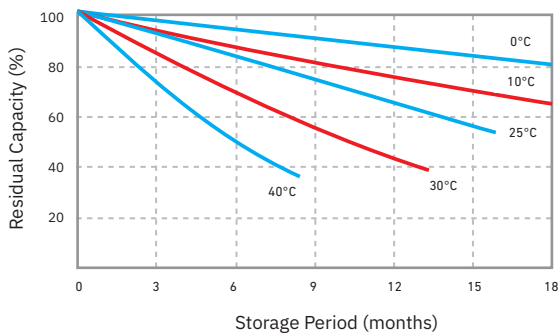
Discharge Characteristics Curve



Charge Characteristics Curve For Cycle Use (IU)



Residual Capacity



Float Life

