

# DC 85sc

**GEL DEEP CYCLE**  
12V | 85Ah | 100h



## Electrical Specifications

Nominal voltage	12V
Capacity (25°C)	85Ah at C <sub>100</sub>
Internal resistance (25°C)	4.8mΩ
Temperature effect on capacity	104% at 40°C 100% at 25°C 83% at 0°C 65% at -15°C
Residual capacity after storage (25°C)	3 months: 91% 6 months: 82% 12 months: 65%
Constant charging voltage Cycle (25°C)	14.5 to 14.9V (initial charging current < 22.5A)
Constant charging voltage Float (25°C)	13.6 to 13.8V

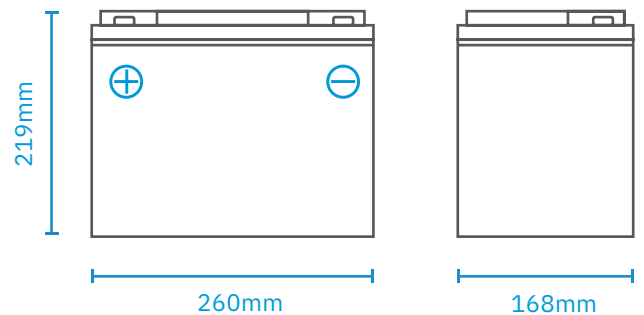
## Discharge Specifications

Capacity C <sub>100</sub>	85Ah
Capacity C <sub>20</sub>	75Ah
Capacity C <sub>10</sub>	65Ah
Capacity C <sub>5</sub>	60Ah
Capacity C <sub>3</sub>	58Ah
Discharge current testing (25°C)	1h rate (41.2A) : 42Ah 3h rate (18.7A) : 58Ah

## Mechanical Specifications

Measurements (L × W × H)	260 × 168 × 219mm
Approx. weight	22.9kg
Terminal type	T1

## Measurements



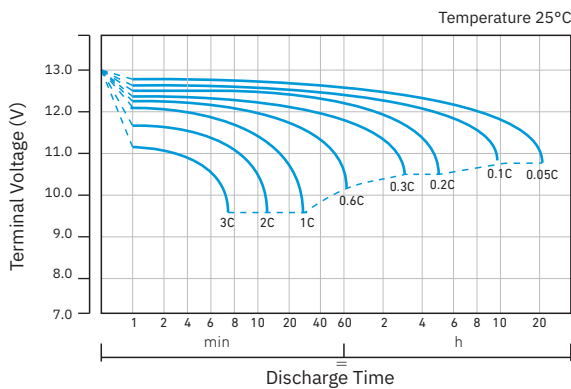
## Constant Current Discharge Characteristics (A) 25°C

F.V. / Time	5 min	10 min	15 min	30 min	60 min	2 h	3 h	5 h	8 h	10 h	20 h
<b>9.60V</b>	236.5	158.3	124.2	78.2	47.4	27.4	19.4	13.7	9.1	7.6	4.0
<b>10.2V</b>	224.4	150.3	119.2	75.0	45.5	27.1	19.1	13.5	9.1	7.6	3.9
<b>10.5V</b>	217.9	145.8	116.2	73.1	44.3	26.8	18.9	13.3	9.0	7.5	3.8
<b>10.8V</b>	211.4	141.3	113.2	71.2	43.2	26.5	18.1	13.2	8.9	7.5	3.8

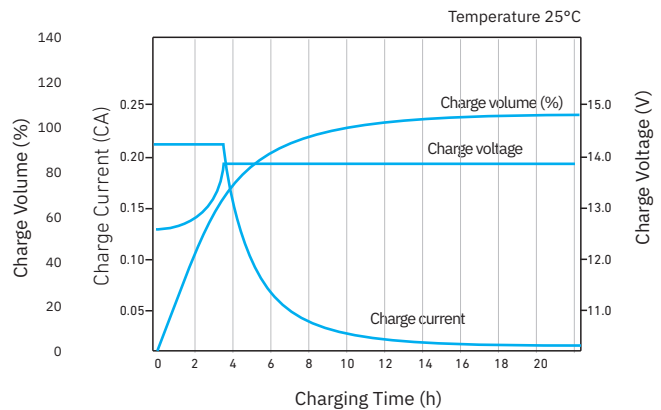
### Constant Power Discharge Characteristics 25°C

F.V. / Time	5 min	10 min	15 min	30 min	60 min	2 h	3 h	5 h	8 h	10 h	20 h
<b>9.60V</b>	2486.0	1704.4	1361.7	876.8	540.1	316.8	228.5	162.3	108.6	91.1	48.1
<b>10.2V</b>	2361.7	1619.2	1306.6	841.7	518.0	312.2	225.5	160.3	107.6	90.3	47.6
<b>10.5V</b>	2290.6	1570.6	1274.0	820.6	505.0	309.8	222.9	158.3	107.1	89.7	47.5
<b>10.8V</b>	2219.4	1522.0	1241.5	799.6	492.0	306.4	220.4	156.3	106.1	89.1	47.4

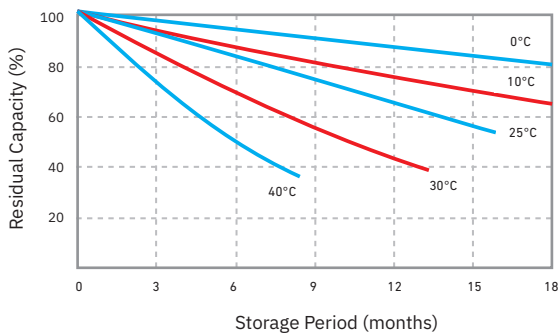
Discharge Characteristics Curve



Charge Characteristics Curve For Cycle Use (IU)



Residual Capacity



Float Life

