



# DC 120

**GEL DEEP CYCLE**  
12V | 120Ah | 100h



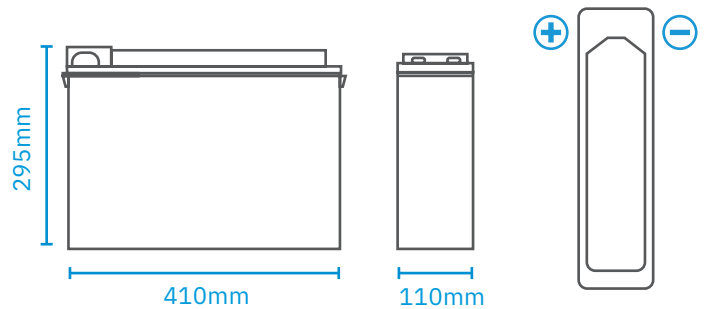
## Electrical Specifications

Nominal voltage	12V
Capacity (25°C)	100Ah @ C <sub>10</sub> (10A)
Internal resistance (25°C)	4mΩ
Temperature Effect on Capacity	104% at 40°C 100% at 25°C 83% at 0°C 65% at -15°C
Residual capacity after storage (25°C)	3 months: 91% 6 months: 82% 12 months: 65%
Constant charging voltage Cycle (25°C)	14.5 to 14.9V (initial charging current < 30A)
Constant charging voltage Float (25°C)	13.6 to 13.8V

## Discharge Specifications

Capacity C <sub>100</sub>	120Ah
Capacity C <sub>20</sub>	110Ah
Capacity C <sub>10</sub>	100Ah
Capacity C <sub>5</sub>	92Ah
Capacity C <sub>3</sub>	80Ah
Discharge Current Testing (25°C)	1 hours rate (55A): 60Ah 3 hours rate (25A): 80Ah

## Measurements



## Mechanical Specifications

Measurements (L × W × H)	410 × 110 × 295 mm
Approx. Weight	31.7kg
Terminal Type	T2

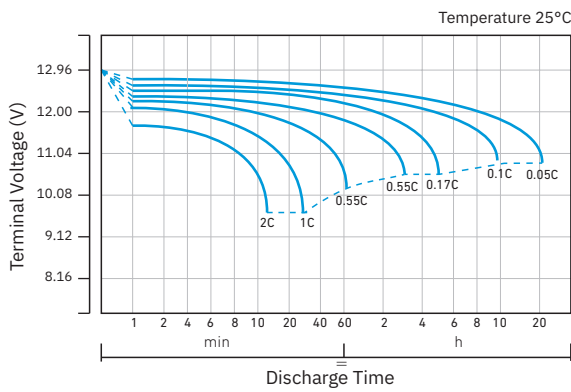
## Constant Current Discharge Characteristics (A) 25°C

F.V. / Time	10 min	15 min	30 min	60 min	2 h	3 h	5 h	8 h	10 h	20 h
<b>9.60V</b>	218.9	174.1	107.5	64.7	36.3	26.3	18.4	12.1	10.2	5.3
<b>10.2V</b>	208.0	167.2	103.5	62.1	35.8	25.9	18.1	12.0	10.1	5.3
<b>10.5V</b>	202.0	163.2	100.5	60.8	35.5	25.7	17.9	12.0	10.0	5.2
<b>10.8V</b>	195.0	159.2	98.3	59.0	35.1	25.4	17.7	11.9	10.0	5.2

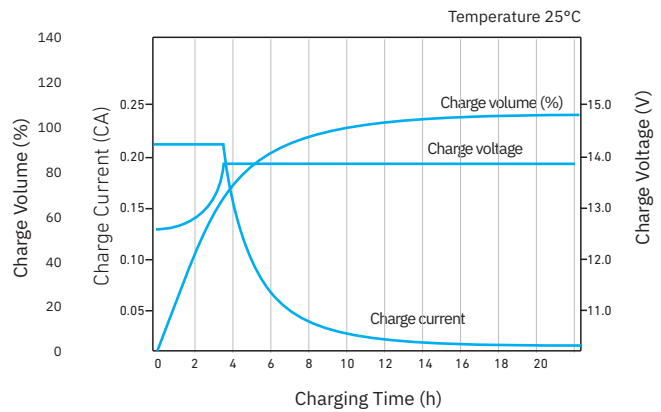
### Constant Power Discharge Characteristics 25°C

F.V. / Time	10 min	15 min	30 min	60 min	2 h	3 h	5 h	8 h	10 h	20 h
<b>9.60V</b>	2354.1	1912.4	1205.9	737.3	420.9	308.5	217.9	145.3	122.4	64.5
<b>10.2V</b>	2245.7	1835.4	1161.2	707.4	414.9	304.5	213.9	144.8	121.4	63.9
<b>10.5V</b>	2181.0	1791.0	1151.2	703.5	410.9	301.5	210.9	144.3	120.4	36.7
<b>10.8V</b>	2106.4	1748.2	1103.5	672.6	407.0	298.5	209.0	143.3	119.4	63.3

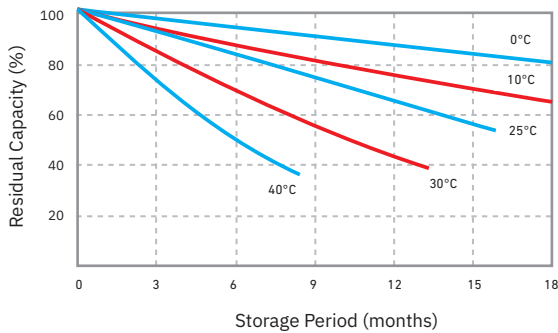
Discharge Characteristics Curve



Charge Characteristics Curve For Cycle Use (IU)



Residual Capacity



Float Life

