

# LC 135 S LT



LiFePO<sub>4</sub> Battery | 12.8 V | 135 Ah | 1728 Wh



## Technical Specifications

Nominal Voltage	12,8 V
Nominal Capacity	135 Ah
Capacity @ 25 A	324 min
Energy	1728 Wh
Resistance	≤ 15 mΩ
Self Discharge	< 2 % / month
Standby Consumption	2 to 14 Ah / month
Cell Type	LiFePO <sub>4</sub>
Shipping Class	UN 3480, CLASS 9
Certificates	IP 65, CE, UN38.3, UL1973
ECE Certificate	(E24) 10R06/03*7684*00
Cycles (30 % DoD)	13500
Cycles (50 % DoD)	10000
Cycles (80 % DoD)	6800
Cycles (100 % DoD)	4000
Active balancer	1 A

\* Battery turned off (On/Off switch)

\*\* Battery turned on (On/Off switch)

## Charge Specifications

Rec. Charge Current	67 A
Maximum Charge Current	135 A
Rec. Charge Voltage	14,6 to 14,8 V
BMS Charge Cut-Off	15,6 V
Over-charge release	< 14,4 V
Float charge voltage	> 13,6 V
Max. Batteries in Series	2
Heating system	120 W

## Discharge Specifications

Max. Cont. Discharge Current	150 A
Peak Discharge Current	250 ± 30 A (5,5 s ± 1 s)
BMS Discharge Cut-Off (A)	600 A (2 s)
Recommended Low Voltage Disconnect	11,2 V
BMS Discharge Cut-Off (Voltage)	> 10 V
Reconnect Voltage	> 11,2 V (2,8 V / cell)
Short Circuit Protection	200 A to 600 μs

## Temperature

Discharge Temperature	-20 to 60 °C
Charge Temperature	-30 to 55 °C
Storage Temperature	-10 to 45 °C
BMS High Temperature Cut-Off	65 °C
Reconnect Temperature	50 °C

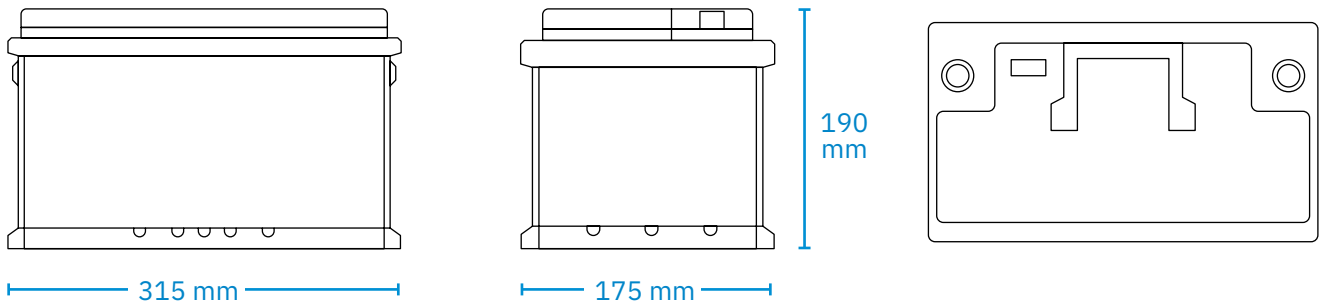
## Mechanical Specifications

Dimensions (L×W×H)	315 × 175 × 190 mm
Approx. Weight	12,20 kg
Terminals	Round poles
Case Material	ABS

## Functions & Features

- BMS and various safety functions
- Bluetooth function
- Integrated heating function (120 W)
- CAN-Bus

**Dimensions**



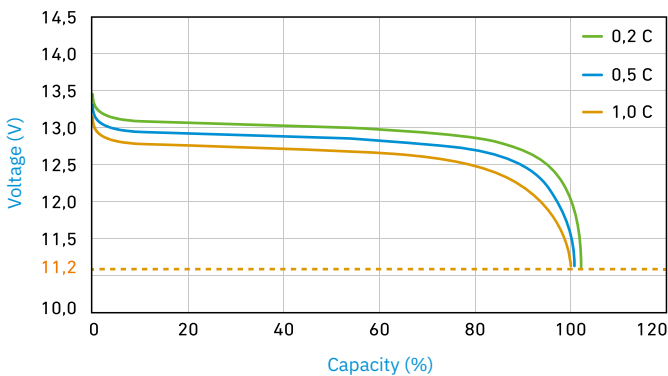
**Constant Current Discharge Data (25 °C)**

Discharge Time	1,05 h	2 h	3 h	4 h	5 h	10 h	20 h
Discharge Current (until cut off at 10.8 V)	135 A	67.5 A	45 A	33,8 A	27 A	13.5 A	6.8 A

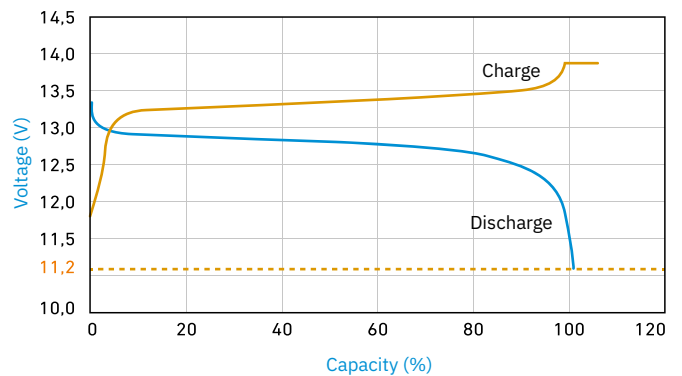
**Constant Power Discharge Data (25 °C)**

Discharge Time	1,05 h	2 h	3 h	4 h	5 h	10 h	20 h
Discharge Power (until cut off at 10.8 V)	1687.5 W	864 W	576 W	432 W	346 W	173 W	86 W

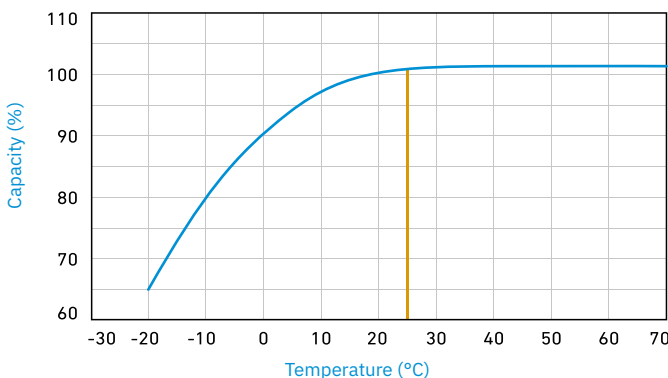
**Discharge Performance (25 °C)**



**Charge and Discharge (0.5 C, 25 °C)**



**Temperature Effects on Capacity (0.5 C)**



**Cycle Life with DoD at 25 °C**

