



MSP 70

Solar Module
70W | 18,06V | Monocrystalline

**BLACK
EDITION**

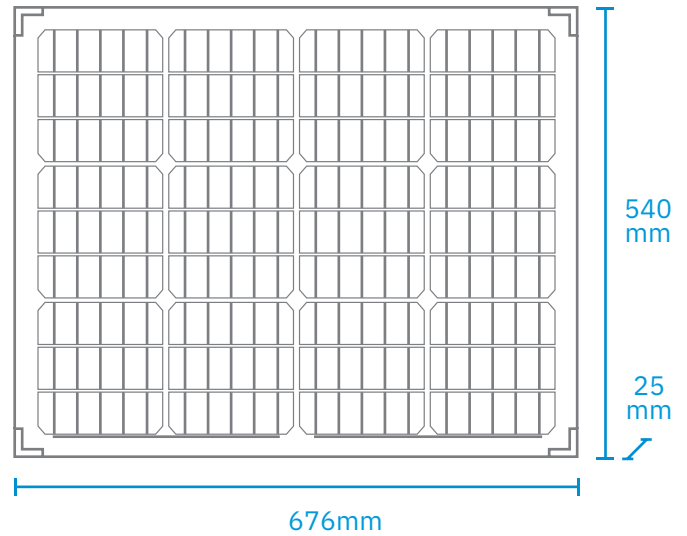
Electrical Specifications

Rated power	70W
Rated voltage (Umpp)	18,06V
Rated current (Impp)	3,88A
Open-circuit voltage (UoC)	22,18V
Short-circuit current (Isc)	4,16A
Efficiency	19,18%

Technical Specifications

Temperature range	- 40°C to + 85°C
Solar cells	Monocrystalline
Number of cells	36
Dimensions	676 × 540 × 25mm
Weight	4,1kg
Junction box	IP65 rated
Glass (front)	Hardened safety glass
Frame	Stable, hollow-section aluminium frame
Cable length	790mm
Connectors	MC4

Dimensions



Warranty*



*80% of rated power: 5 years, 70% of rated power: 15 years

The perfect solar charge controller for your project

Charge your batteries efficiently, gently and quickly with an ECTIVE solar charge controller. Use this overview to find out which controller best suits your project, depending on how many solar panels you intend to use:

ECTIVE.DE

1 panel



DSC 12

2 panels



DSC 12

3 panels



SC 20

4 panels



DSC 25