



# SC 40

MPPT Solar Charge Controller  
480/960 WP | 20 A | 12/24 V

## Electrical Specifications

max. Solar Module Capacity [Wp]	480/960
max. Solar Module Current	20A
max. Solar Module Voltage	50V
Battery Nominal Voltage (DC)	12/24V
max. Charging Current Battery	40A
Stand-by Current Consumption	4mA

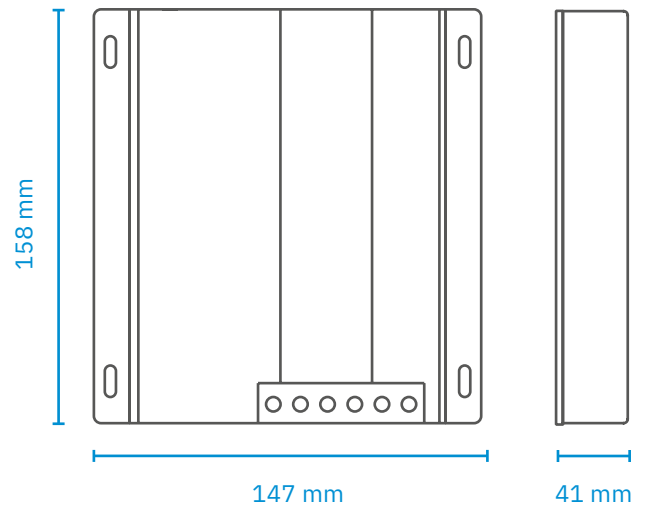
## Mechanical Specifications

Measurements	147 x 158 x 41 mm
Weight	767g
Number of Charging Outputs	1
Connector: 12 V loads	no
Ambient Conditions	max. 95% humidity, no condensation

## Functions

Overcharge Protection	yes
Back Discharge Protection	yes
Short Circuit Protection	yes
Unit Fuse (Type FKS)	60A
Protection Overloading, Overheating and Reverse Polarity	yes
Connector: Temperature Sensor	yes
Charging Cable Compensation	yes

## Measurements



## Charging Characteristics (Settable for battery types: Lead Acid, AGM, Gel, LiFePO<sub>4</sub>)

