

BLACK EDITION

LIGHT WEIGHT



SSP 100

Lightweight Solar Module
100W | 18.14V | Shingle Technology

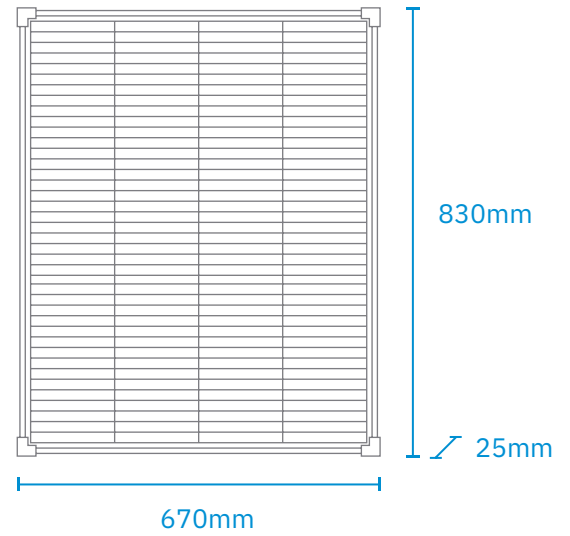
Electrical Specifications

Rated power	100W
Rated voltage (U _{mp})	18.14V
Rated current (I _{mp})	5.51A
Open-circuit voltage (U _{oC})	21.57V
Short-circuit current (I _{sc})	5.84A
Efficiency	21.4%
Max. system voltage	1000V

Technical Specifications

Temperature range	- 40°C to + 85°C
Solar cells	Monocrystalline
Number of cells	132
Dimensions	830 × 670 × 25mm
Weight	2.76kg
Surface protection	ETFE
Junction box	IP67 rated
Cell connection	Shingled technology
Cable length	500mm
Connectors	MC4

Dimensions



Warranty*



*80% of rated power: 5 years

Shingle Technology

In advanced solar modules with shingle technology, the individual solar cells are arranged in a way so that they overlapped slightly - similar to the shingles on a roof. This structure and a special, highly conductive adhesive mean that the conspicuous copper connectors and main conductor tracks of conventional panels are no longer necessary. This results in various advantages:

- approx. 10 % higher area efficiency compared with conventional monocrystalline cells
- increased efficiency in (partial) shade
- lower resistance and higher performance on a smaller area
- no occurrence of hotspots
- integrated bypass diodes